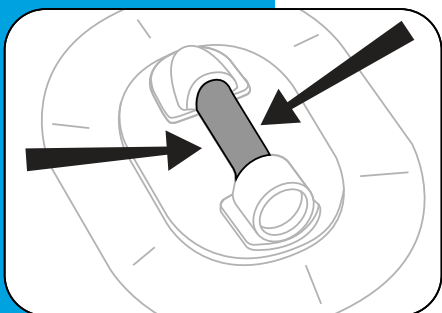


## For Patient

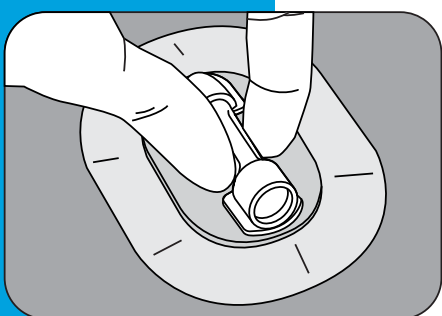
1



Every 8 hours, **pinch the middle of the pump** with your thumb and one finger.

**DO NOT** pinch the ends of pump.

2



Pinch as needed, about 1-5 times, until the pump walls remain touching at the middle.

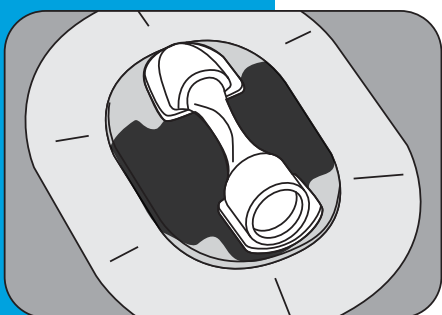
**DO NOT** flatten entire pinch area.

3



The system is working properly if the pump walls remain touching at the middle.

4



Consult your doctor if wound drainage covers **more than 50%** of the dressing pad or **enters the pump**.

Your doctor will tell you when to remove the dressing.

To remove, peel gently and discard as a normal bandage.